



APPLICATION



LED Helipad Elevated Light

AH-HP-E1

Heliport Elevated light should not exceed a height of 25cm. There is a fragile coupling in the base connection, so if aircraft hit the light by accident, the base will break immediately to avoid more damage.

Compliance

- ICAO Annex 14 Volume II Heliports 5.3.
- FAA AC 150/5390-2B Heliport Design Guide
- CAP 437

Features

Electrical

- LED as light source saving power consumption and maintenance, 95% less power than equivalent incandescent light
- Power supply available in AC(110-240VAC) and DC48V, DC12V and other voltage is optional
- LED power supply board includes short circuit and open circuit protection
- Line surge protection by metal oxide varistor

Physical

- Unique designed polycarbonate lens for converging light and also provides corrosion resistance and UV protection.
- UV protection Powder coated bright yellow color base make better visibility
- Base material is die casting aluminum which has strong corrosion resistance, Shock and Vibrations protection
- Fragile coupling base reduce the secondary damage to helicopters effectively

Optional

- Infrared LED for pilot using NVG(Night Vision Goggles)
- Controller for power supplying and turn ON/OFF light
- VHF pilot to ground remote control

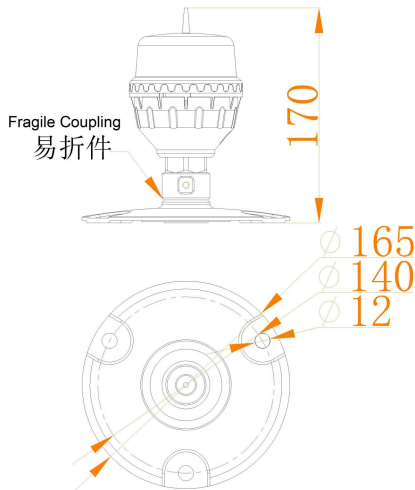
Application

- Helipad/Heliport TLOF edge areas
- Heliport FATO edge
- Helipad Runway edge
- Helipad taxiway edge

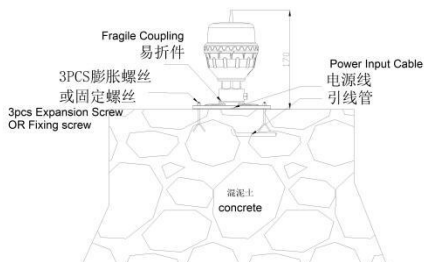
LED Heliport Elevated Light

AH-HP-E1

Dimension(unit:mm)



Installation Diagram



Heliport On Desert

SPECIFICATIONS

AH-HP-E1 LED Heliport Elevated Light

Light Characteristics

Light Source	Ultra high intensity LED
Available Colors	Green, Yellow, White, Red, Blue
Intensity(cd)	≥50cd
Horizontal Output(degrees)	360
Vertical Divergence(degrees)	≥10
Flash Characteristics	Steady burning
Operation Mode	24hours operation
LED Life Experience(hours)	>100,000

Electrical Characteristics

Operating Voltage	DC48V and AC(110-240VAC), DC12V
Power(W)	5
Circuit Protection	Integrated

Physical Characteristics

Body Material	UV protected Polycarbonate
Base Material	Powder-coated Die-casting aluminum
Mounting	140×140×12
Dimension(mm)	165×165×170
Weight(kg)	0.7
Base	Frangible coupling
Product Life Expectancy	Average 5 years

Environmental Factors

Ambient Temperature(°C)	-55~70
Humidity	10~90%
Wind Speed	80m/s
Waterproof	IP66

Compliance

ICAO	ICAO Annex 14 Volume II Heliports 5.3
FAA	FAA AC 150/5390-2B Heliport Design Guide

Options Available

Infrared LED compatible for NVG (Night Vision Goggles)
Dimming mode
VHF Pilot to Ground Remote Control